


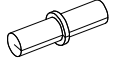


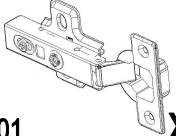
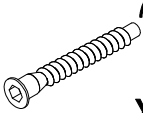

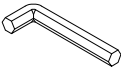

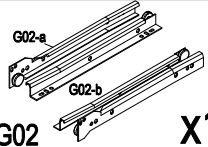
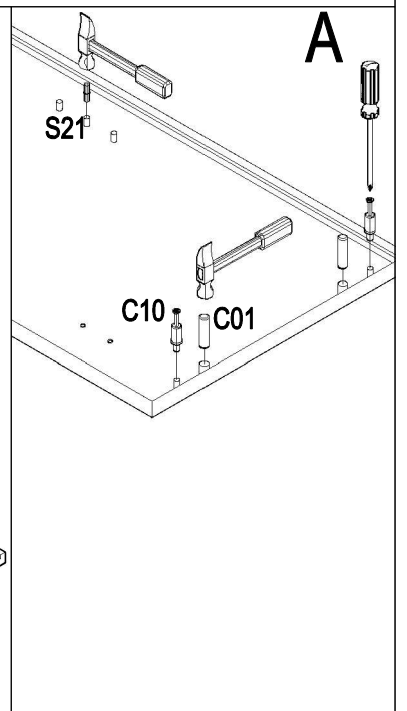
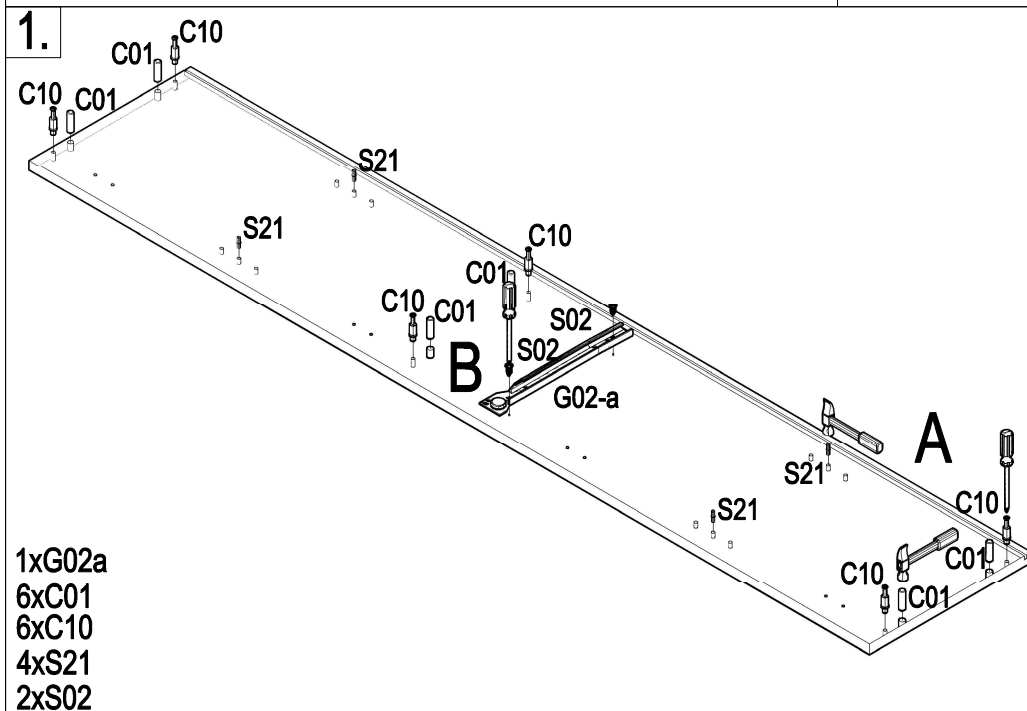
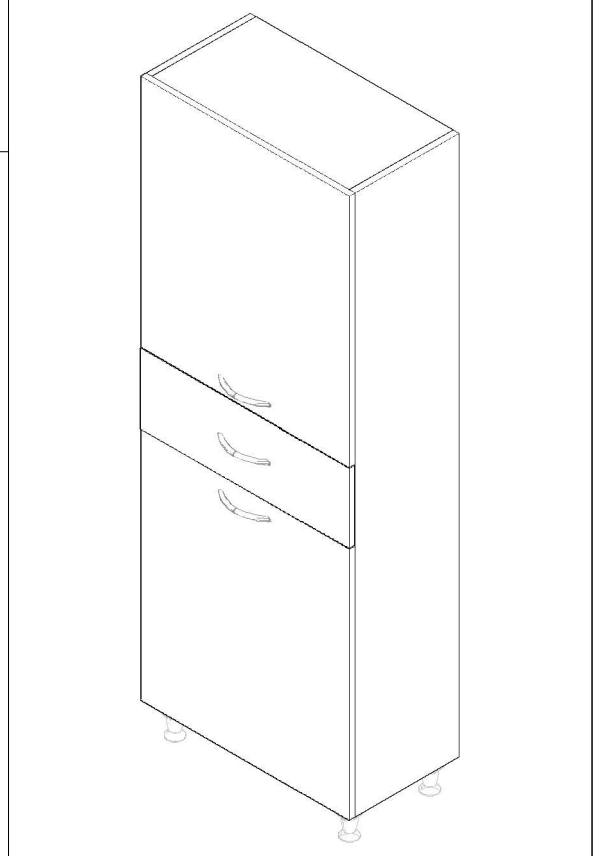
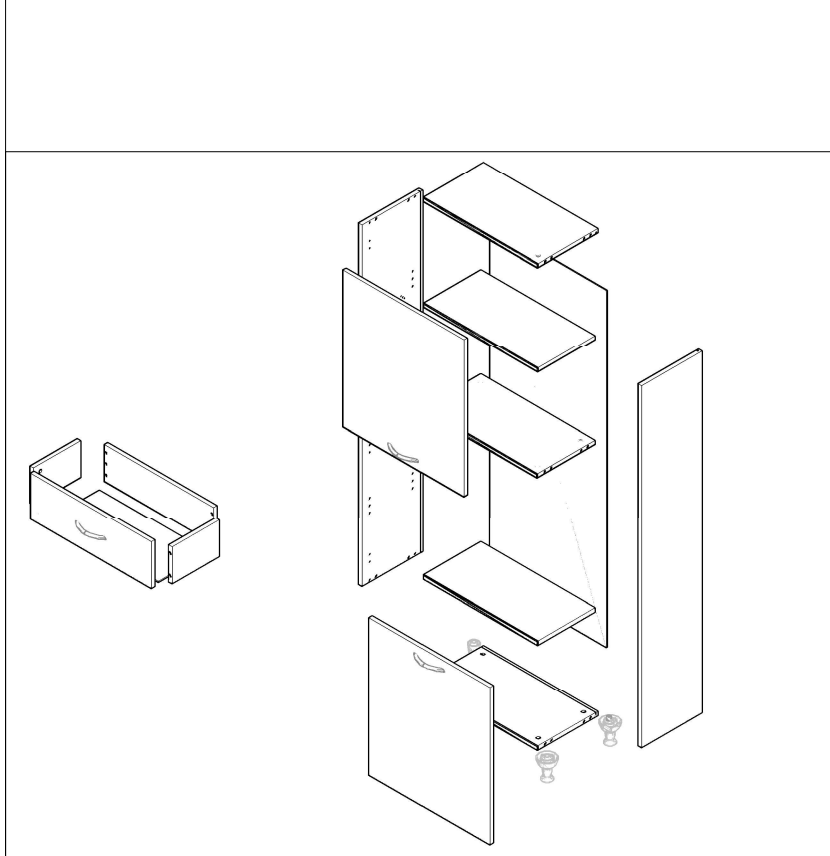
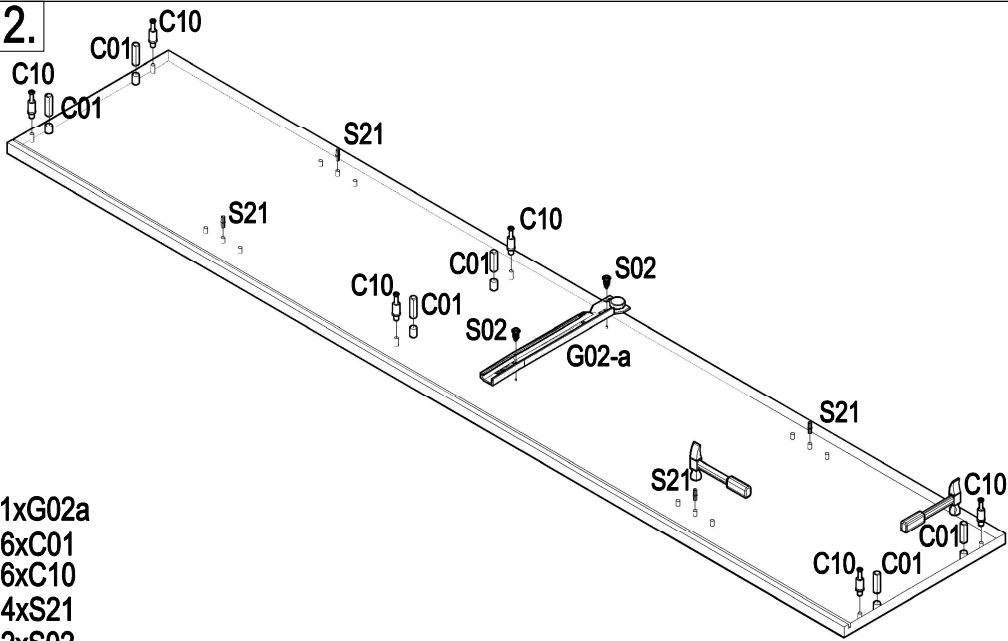


NR.9

 S02	3.5x16 x46	 S11	M4x22 x6	 C01	x16	 S21	x10	 C10	x16	 C11	x16
 B01	x4	 S01	7x50 x2	 M01	x3	 D01	x1	 P01	x4	 G02-a G02-b	x1

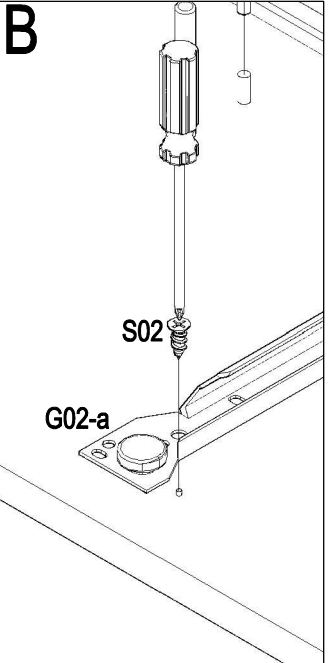


2.

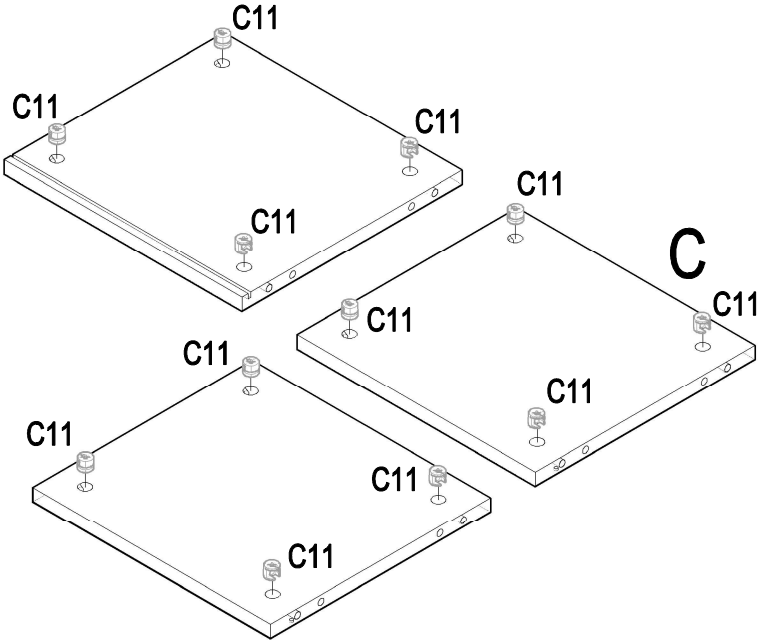


- 1xG02a
- 6xC01
- 6xC10
- 4xS21
- 2xS02

B

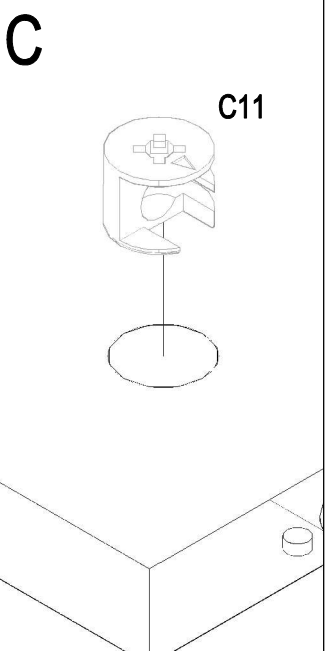


3.

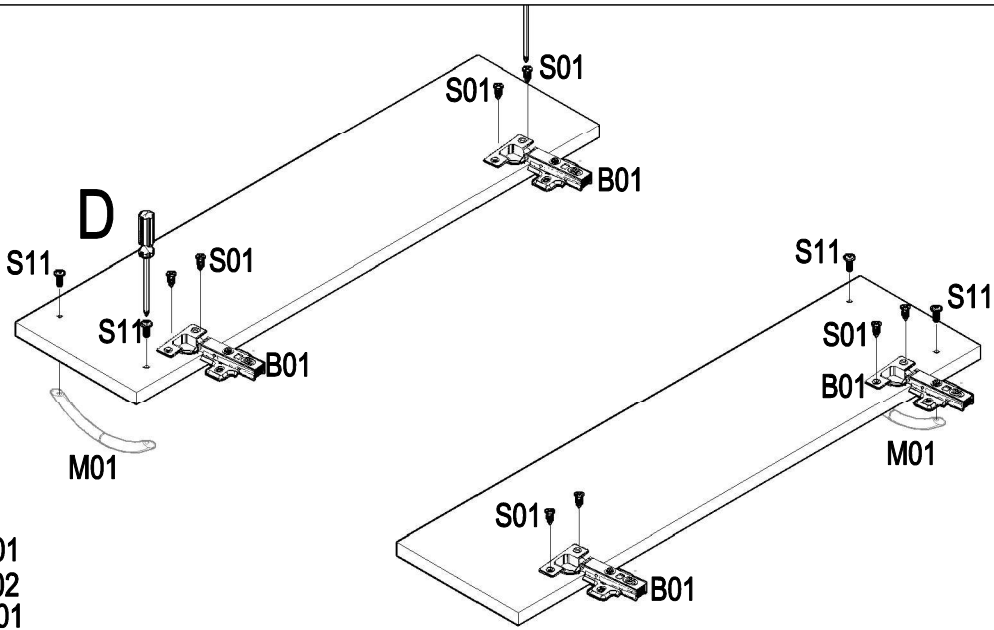


- 12xC11

C

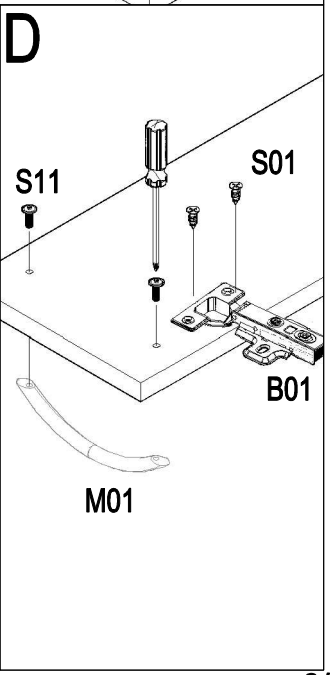


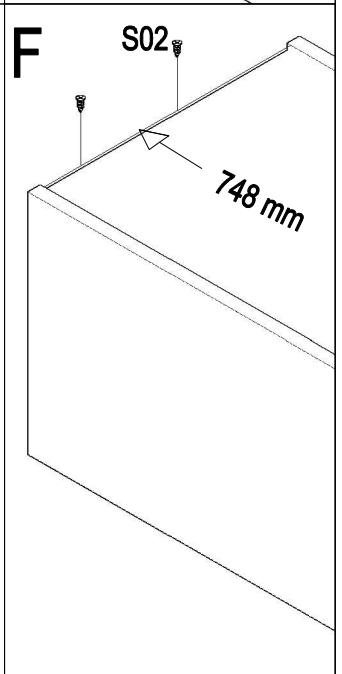
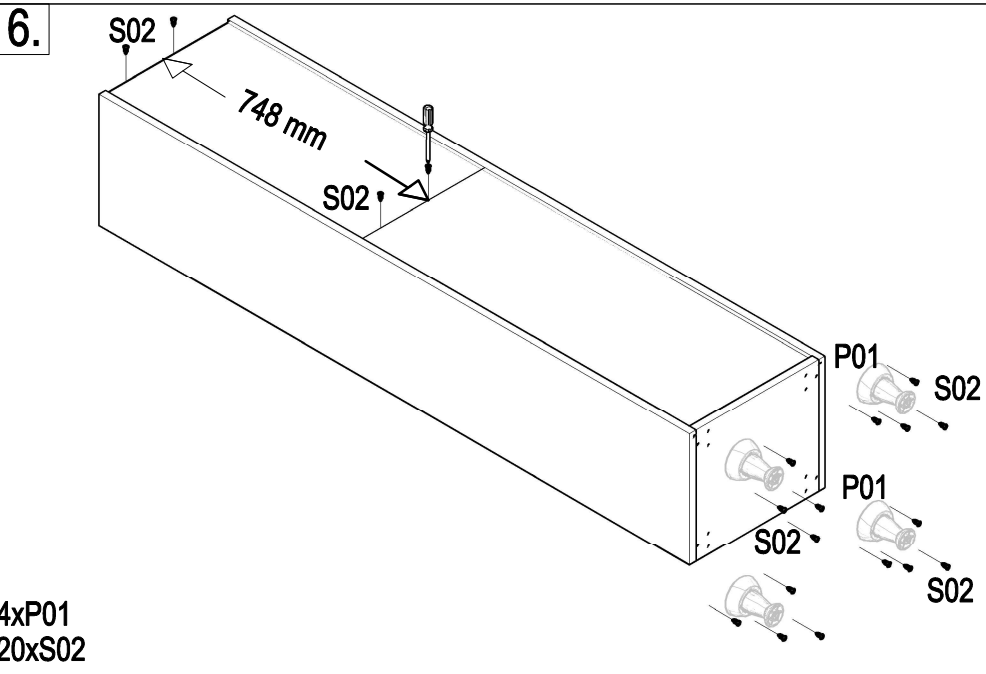
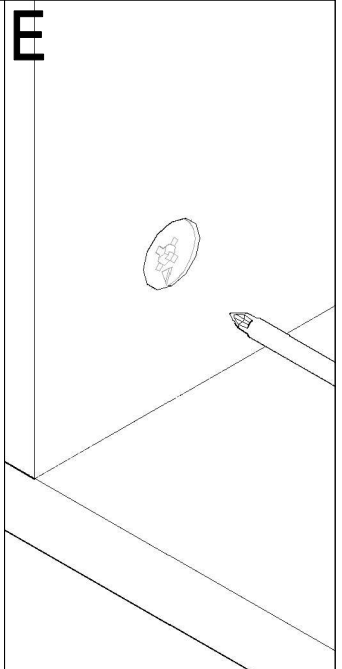
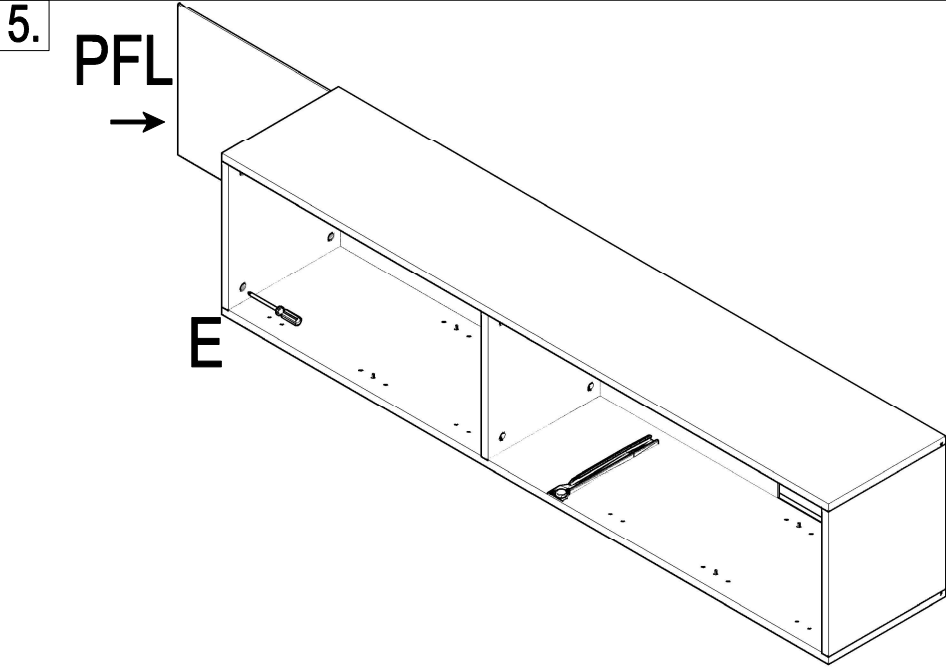
4.



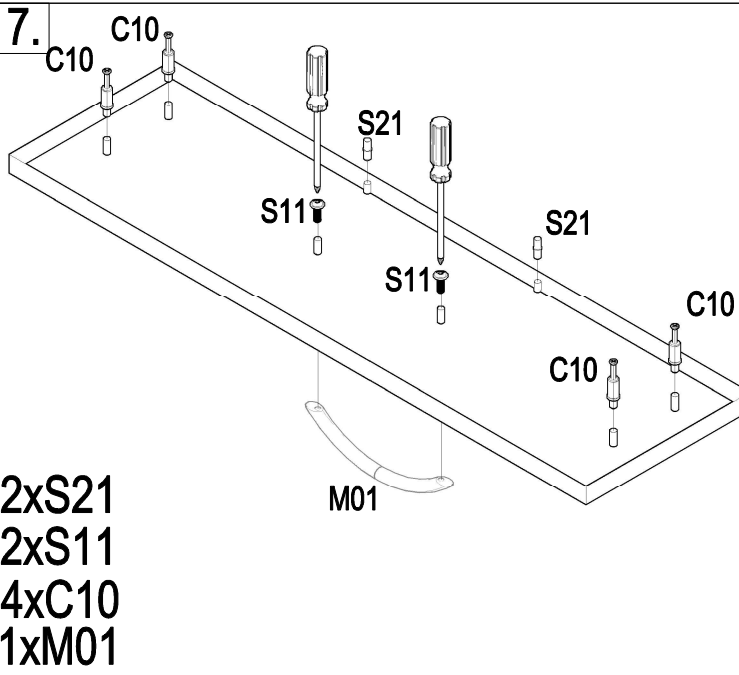
- 4xB01
- 8xS02
- 2xM01
- 4xS11

D

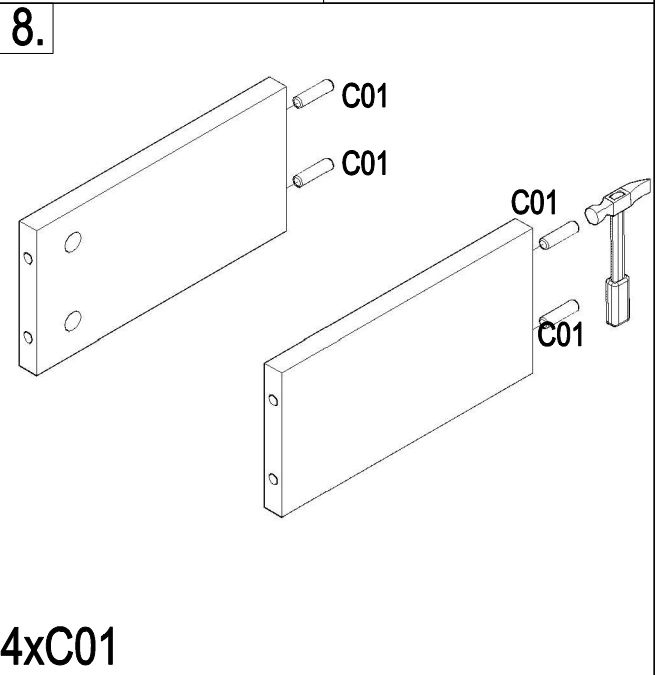




4xP01
20xS02

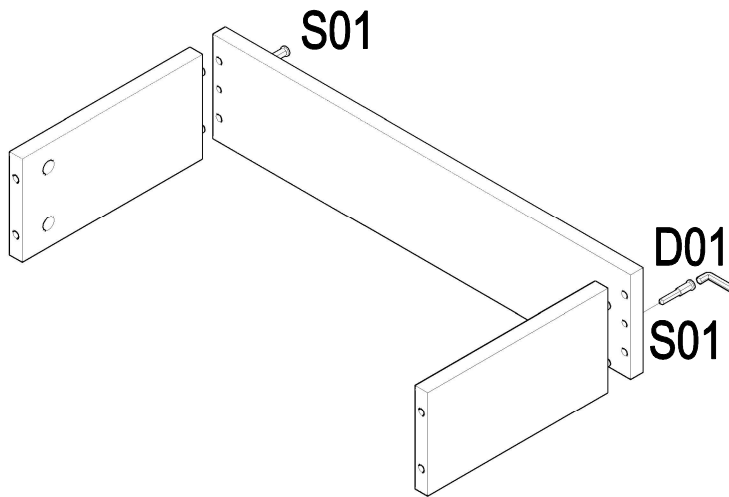


2xS21
2xS11
4xC10
1xM01



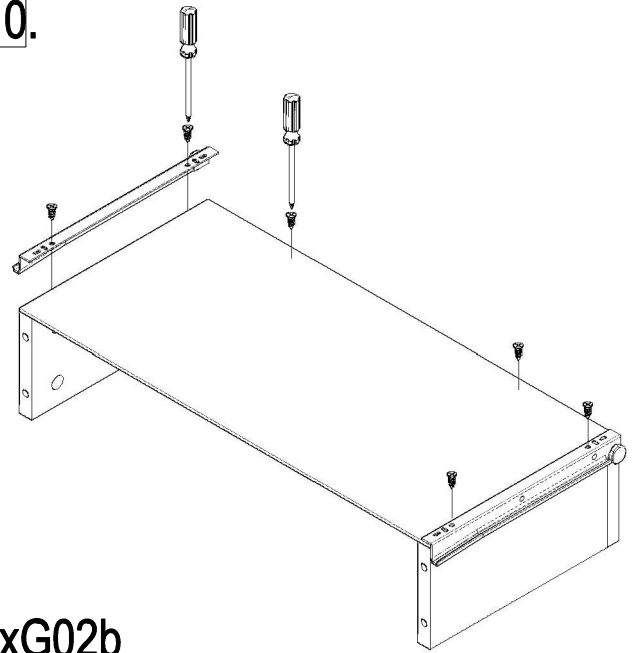
4xC01

9.



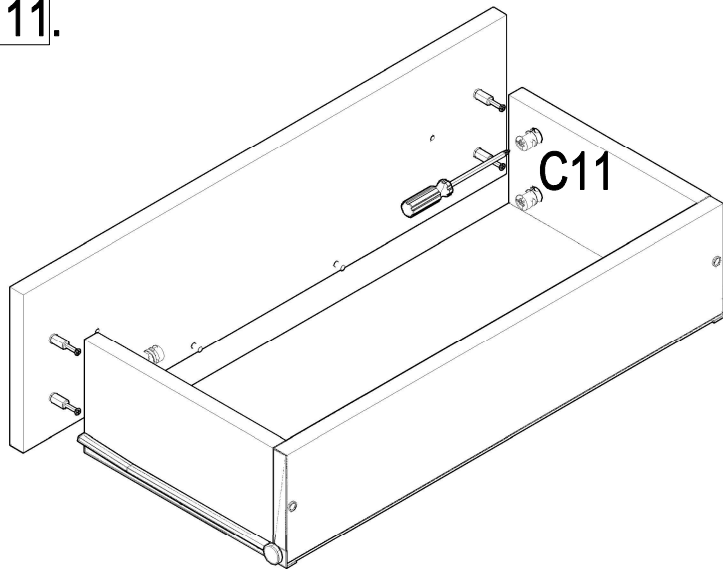
2xS01
1xD01

10.

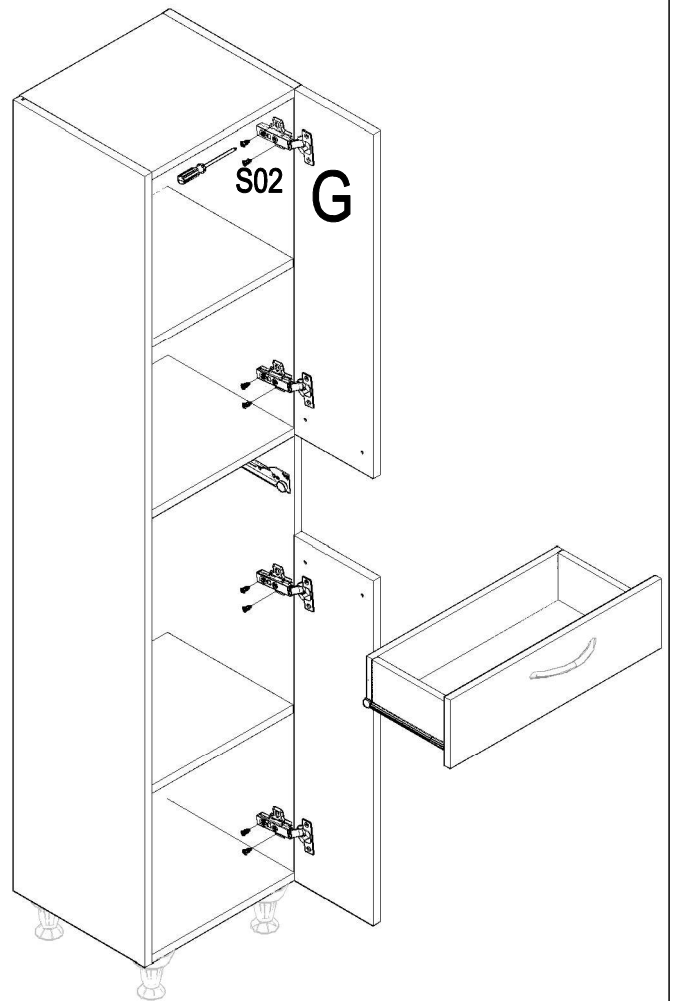


2xG02b
6xS02

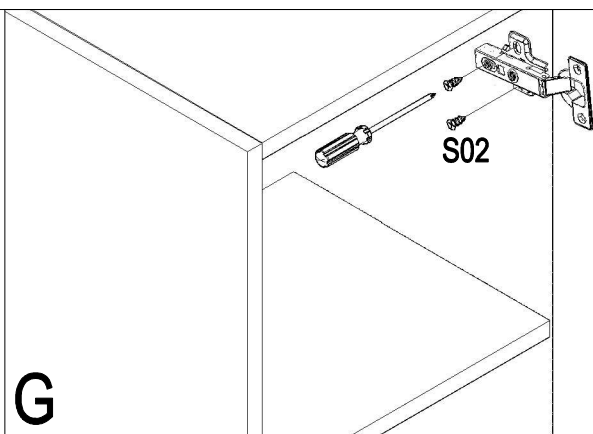
11.



4xC11



8xS02



G